



**BRINGS
ENJOY
TO LIFE!**





**IT CREATES
MODERN AND
ELEGANT
SPACES WITH
SUITABLE
SOLUTIONS.**

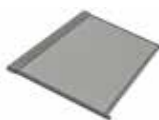


BRINGS **ENJOY** TO LIFE!

Without construction permits needed and fully automated folding, allowing the possibility of using during the summer and winter, the latest technology, ergonomic and functional products.



OASIS



OAK



WILLOW



ZIP BLIND



LINDEN BY 24



LINDEN BY 00



LINDEN BY 90



LINDEN BY 30

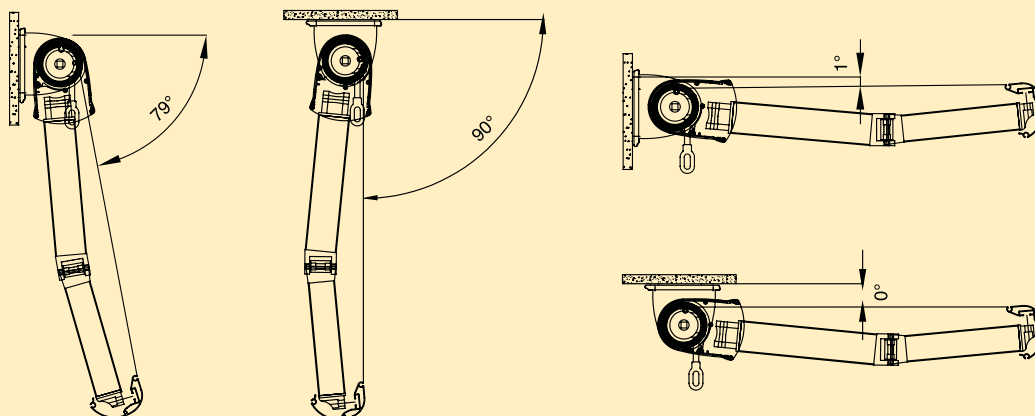


LINDEN BY 39



OASIS TOTAL CASSETTE AWNING

Oasis from the Pergoline Pergola Systems is a modern interpretation of the classic awning appearance. It has handles in line and awning system is designed as a closed box. Oasis fabric is included in the structure. The system, which works with single form and single engine, has an angle of 550 cm.



TECHNICAL DETAILS



Standard Color



Other Colors
+ %20



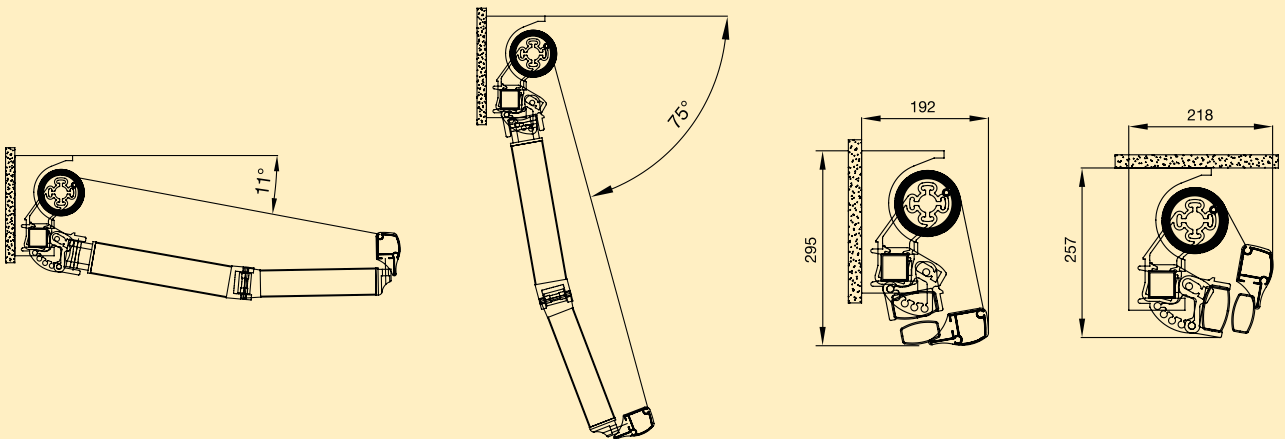
8 Years
Guarantee Against
Colour Loss





WILLOW BY 20 AWNING

Willow special thin arm section; fasteners are jointed arm awning system reinforced with special injection molding. The maximum width is 720 cm. pergola system is in single form and has 1 engine. This shade solution, which can be used for many years with the quality of fabric, motor and equipment supported by Byart's superior quality understanding, is designed to spend pleasant times with the right solutions.



TECHNICAL DETAILS



Standard Color

9016
7016

Other Colors
+ %20



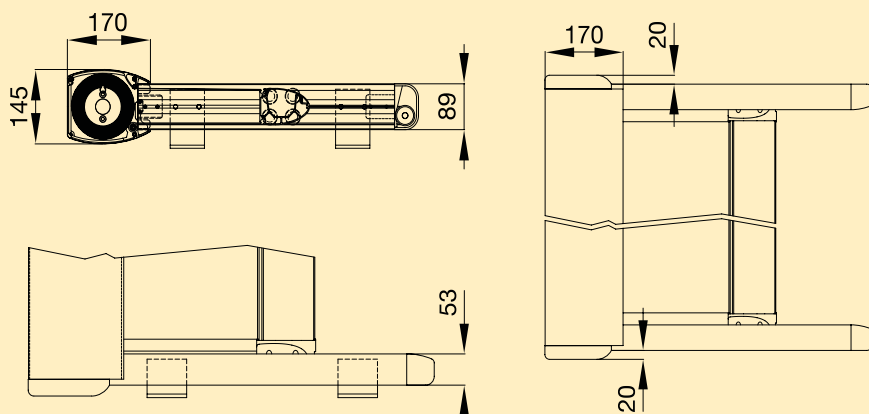
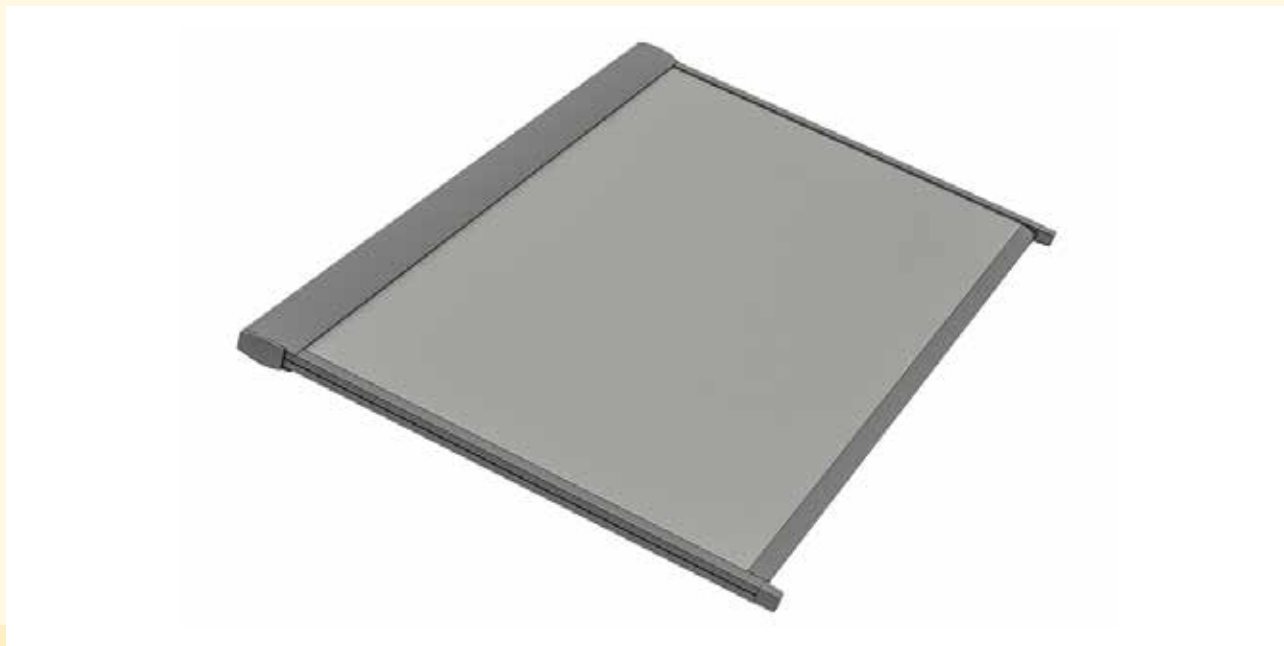
8 Years
Guarantee Against
Colour Loss





OAK SIDE RAIL

Built with a wired traction technology, Oak is a very easy to use awning system that allows the fabric to be pulled in the desired position. The system consists of a standard motor and cassette container. It has a width ratio of 500 cm.



TECHNICAL DETAILS



Standard Color



Other Colors
+ %20



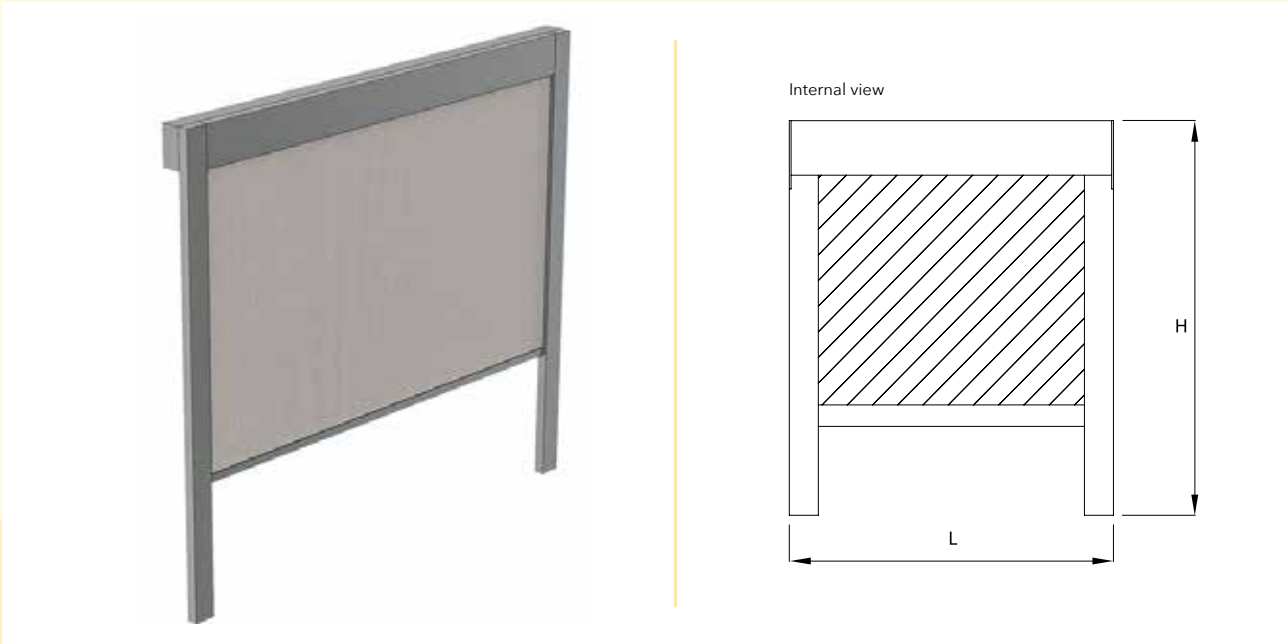
8 Years
Guarantee Against
Colour Loss



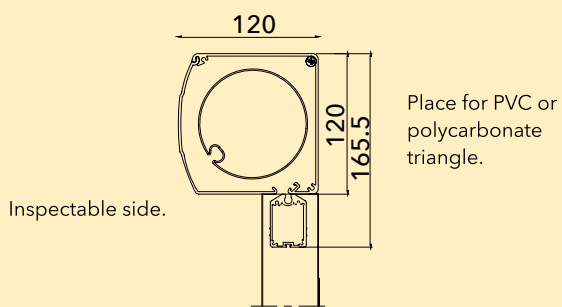


ZIP BLIND

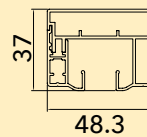
Zip Blind is a vertical louver system. It is wind resistant and consists of side rails. This provides an airtight closure to the side rails with the compressed latch fabric. It may be inclined to the wall and ceiling or embedded in it.



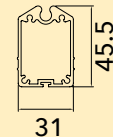
For ceiling or wall mounting, installation from inside cassette.



Front bar profile.



Rail profile.



TECHNICAL DETAILS



Standard Color



Other Colors + %20



8 Years Guarantee Against Colour Loss







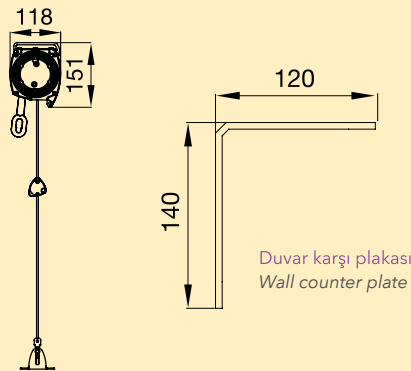






LINDEN BY 24

With a maximum width of 500cm, the product Linden By24, is a wire awning system that can be operated either with a spring pull, a gear or a motor. The most important areas of application are balcony sides and windows. It is a product used for the purpose of protecting these areas.



TECHNICAL DETAILS



Standard Color

9016
7016

Other Colors
+ %20



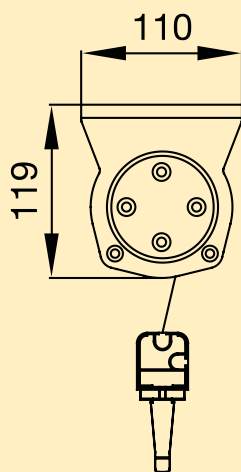
8 Years
Guarantee Against
Colour Loss





LINDEN BY 00 VERTICAL BLIND

One of Byart's innovative designs, Linden By00 is a flat-bottoming awning system. It can be applied to the wall or ceiling. It can be operated with spring-loaded traction system, gear or motor. Suitable for side areas of balconies and windows, this product has a maximum width of 400 cm.



TECHNICAL DETAILS



Standard Color



Other Colors
+ %20



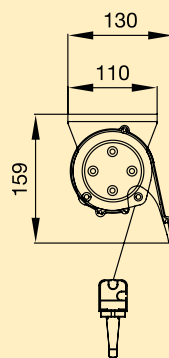
8 Years
Guarantee Against
Colour Loss





LINDEN BY 90 MOTORISED/ CASSETTE VERTICAL BLIND

Awning with spring recall, gear or motor. Possible application on the wall or at the ceiling with aluminium die-casted plates. Bolts and screws made of stainless steel. Painting by polyester powder in our factory performed following rigid qualitative standards. Possibility of shutter-box for a complete protection of the fabric. Suitable structure for sides of balconies and windows. Maximum width mt. 400.



TECHNICAL DETAILS



Standard Color

9016
7016

Other Colors
+ %20



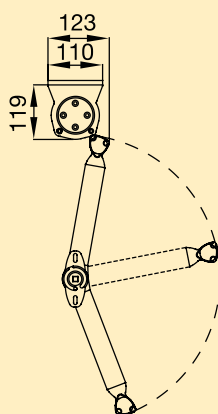
8 Years
Guarantee Against
Colour Loss





LINDEN BY 30 VERTICAL BLIND

Awning with spring recall, gear or motor. Possible application on the wall or at the ceiling with aluminium die-casted plates. Bolts and screws made of stainless steel. Painting by polyester powder in our factory performed following rigid qualitative standards. Possibility of shutter-box for a complete protection of the fabric. Suitable structure for sides of balconies and windows. Maximum width mt. 400.



TECHNICAL DETAILS



Standard Color



Other Colors + %20



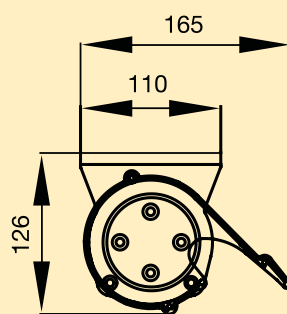
8 Years Guarantee Against Colour Loss





LINDEN BY 39 MOTORISED/ CASSETTE VERTICAL BLIND

Awning with spring recall, gear or motor. Possible application on the wall or at the ceiling with aluminium die-casted plates. Bolts and screws made of stainless steel. Painting by polyester powder in our factory performed following rigid qualitative standards. Possibility of shutter-box for a complete protection of the fabric. Suitable structure for sides of balconies and windows. Maximum width mt. 400.



TECHNICAL DETAILS



Standard Color



Other Colors + %20



8 Years Guarantee Against Colour Loss





UMBRELLAS

When umbrella puts down, top of umbrella will hold up because of the telescopic mechanism which is placed in the trunks, holding down for putting down. By this way, during the putting down the umbrella, it is not required to collect the tables and chairs which are under the umbrella. When umbrella is on, it is closer to the floor than normal which provide greater protection from the sun.

Thanks to the telescopic mechanism placed in their structures, the top of the umbrellas rises up when closing and goes down when opening.

So, there is no need to pick up the table chairs under the umbrellas when you close.

400 x 400 umbrellas have a height of 430 cm when closed and 340 cm when opened;

500 x 500 umbrellas have a height of 470 cm when closed and 370 cm when opened.

Since it is close to the ground when opened, this umbrella offers very good protection against slanting sunlight.

- Dimensions Ø 400 - 450 - 500 - 560 and 400 x 400 - 350 x 350.
- Umbrellas with a main structure of 80 mm in diameter, arms with special and strong aluminum profile able to withstand the storm.
- Special aluminum arms with dimensions 32x30.
- Easy opening and closing by means of a gearbox mechanism and a rotating handle placed in the main structure.
- TELESCOPIC main structure piping system that descends when opening, rises when closing, and does not require the gathering of tables and chairs.
- Umbrella fabric sewn with a special cut; attached to the arms of the umbrella, does not fly off into the wind, does not swell, does not turn in the wind.
- Ventilation device; It is a system with a ventilation device in the form of a second cover that opens and closes with the main mechanism on the part left empty in the middle of the umbrella.
- 4 blocks of marble 40 x 40 x 10 cm in a steel frame of 80 x 80 cm are used as movable feet.
- Light-resistant fabric with an 8-year warranty with acrylic teflon coating, resin, thermal insulation, waterproof and oil-proof under pressure, unalterable.

TECHNICAL DETAILS



Standard Color



Other Colors
+ %20



8 Years
Guarantee Against
Colour Loss







Headquarters

Türkocağı Cad. No:46/A-B Balgat/Ankara/Turkey
T: +90 312 285 39 00 F: +90 312 284 30 60
byart@byarttente.com

Factory

Organize Sanayi Bölgesi Yamaç Sok. No:1
Hasanoğlan/Ankara/Turkey

www.byartgroup.com